



IMPORTANT:
PLEASE READ AND BE AWARE OF
MINIMUM BUILDING REQUIREMENTS
BEFORE INSTALLATION.

Attaching Gator Skins panels to an improperly built structure can cause product damage/failure and may affect warranty coverage.



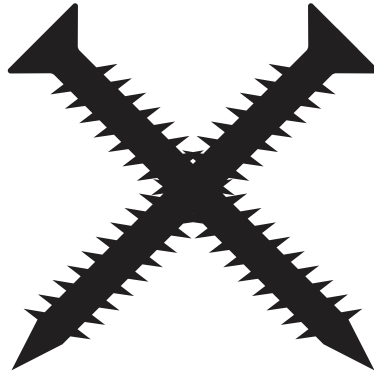
SURFACING EVERYWHERE.

Thank you for choosing Gator Skins Ramp Surface!

Please read the building requirements and installation recommendations on the following pages before installing your Gator Skins.

BUILDING REQUIREMENTS

In order for warranty to be valid, the materials/building specifications on the following pages must be met.



SKATEBOARD/BMX USE

TRANSITION TEMPLATES:

- 3/4" plywood. OSB not recommended.

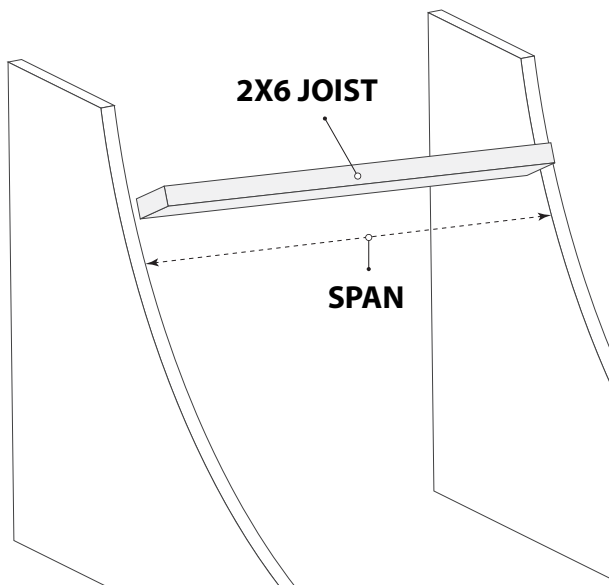
SUBSTRATE (base layers of plywood):

- 2 layers of 3/8" plywood (3/4" overall)

STRUCTURE:

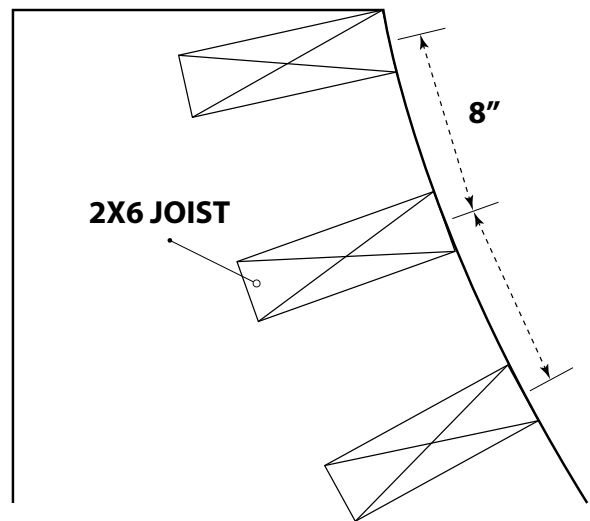
- 2X6 lumber for joists
- 8' max span -- 6' or less preferred (Figure 1)
- Joists installed at 8" on center (Figure 2)

FIGURE 1



**Span = the distance between plywood transition templates.*

FIGURE 2



SCOOTER USE

TRANSITION TEMPLATES:

- 3/4" plywood. OSB not recommended.

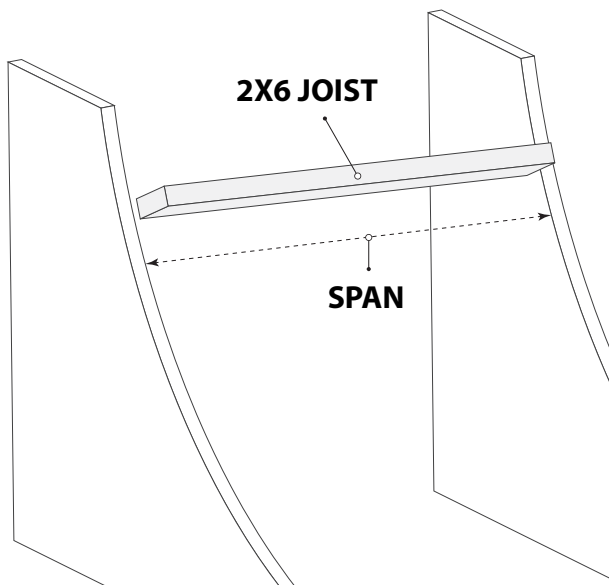
SUBSTRATE (base layers of plywood):

- 3 layers of 3/8" plywood (1 3/16" overall)

STRUCTURE:

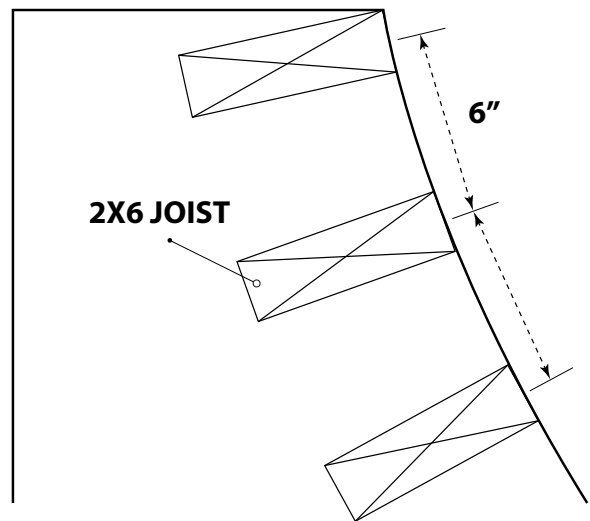
- 2X6 lumber for joists
- Span not to exceed 4' (Figure 1)
- Joists installed at 6" on center (Figure 2)

FIGURE 1



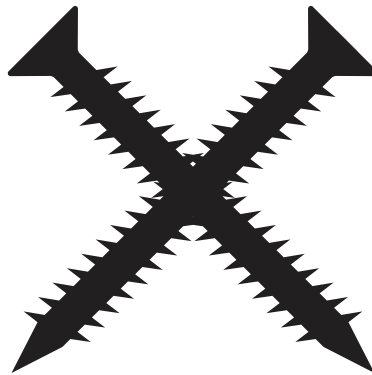
**Span = the distance between plywood transition templates.*

FIGURE 2



INSTALLATION RECOMMENDATIONS

On the following pages are some useful tips and guidelines to ensure you have the best build experience. Also, check out our youtube channel "Gatorskinsramps" for video tips on installation. If you should need any further instructions or have any questions, please contact sales@gatorskinsramps.com



STORAGE

Gator Skins should be stored in its original packaging in a dry, climate controlled area until they are used. Improper storage could result in product failure which will not be covered under warranty.

PANEL APPLICATION GUIDELINES

Environmental considerations:

- Ideal conditions for installation are above 50° F.
- Gator Skins Surface should not be installed in below freezing-conditions (32° F or under).

For best results, set panels on a flat surface in full sun at least 1 hour prior to install.

Surface prep for outdoor applications:

- The ideal substrate (underlayment) material would be pressure treated plywood or plywood coated with paint or other weatherproofing substance, e.g. an elastomeric sealer.
- Do not install Gator Skins on a wet substrate surface as it will seal in the moisture, increasing the likelihood of rot in the substrate over time.

Fasteners:

- To avoid unsightly staining from rain/water/substrate chemicals ***we highly recommend the use of stainless steel screws***. This will greatly mitigate any stain release.

Coated screws such as phosphate/oxide (black) and zinc (galvanized) have consistently shown a tendency to react with the resin in the Gator Skins panels, chemicals in the substrate and moisture to cause staining. You can see examples of this in the images below.



** Note: staining is merely cosmetic and does not affect product performance or riding experience. Images demonstrate staining due to incorrect screw type -- the screws in these photos are galvanized.*

LAYOUT

When possible, Gator Skins panels should always be installed lengthwise with the longest end running parallel to the edges of the transition templates. This will ensure maximum pliability of the panels while also reducing the number of horizontal seams. (Figure 3)

We do not recommend laying the panels widthwise as this makes the panels less pliable and creates additional horizontal seams. (Figure 4)

Do not lay panels diagonally as it increases installation difficulty, raising the likelihood of cracking due to excess stress - particularly at the corners. (Figure 5) Installing panels in this manner may affect warranty coverage.

FIGURE 3

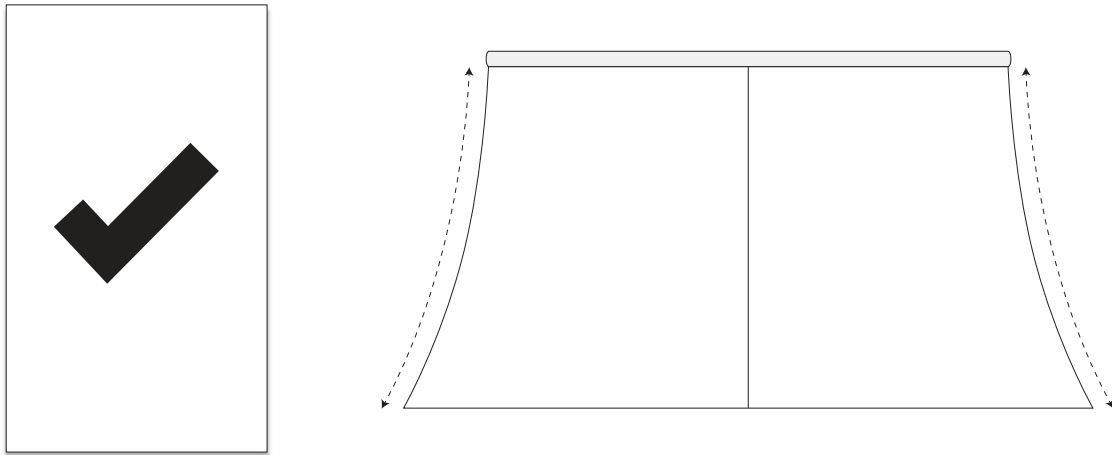


FIGURE 4

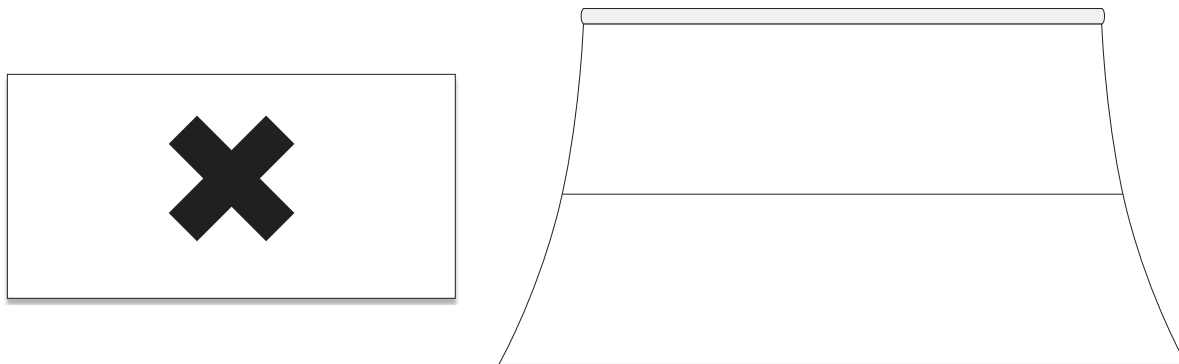
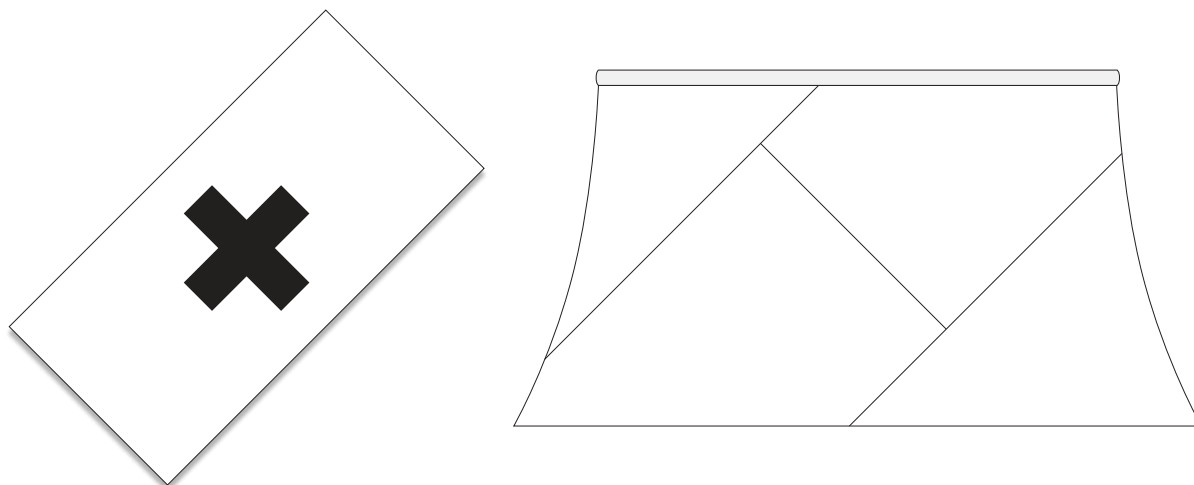


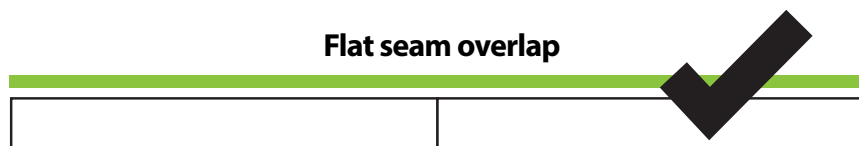
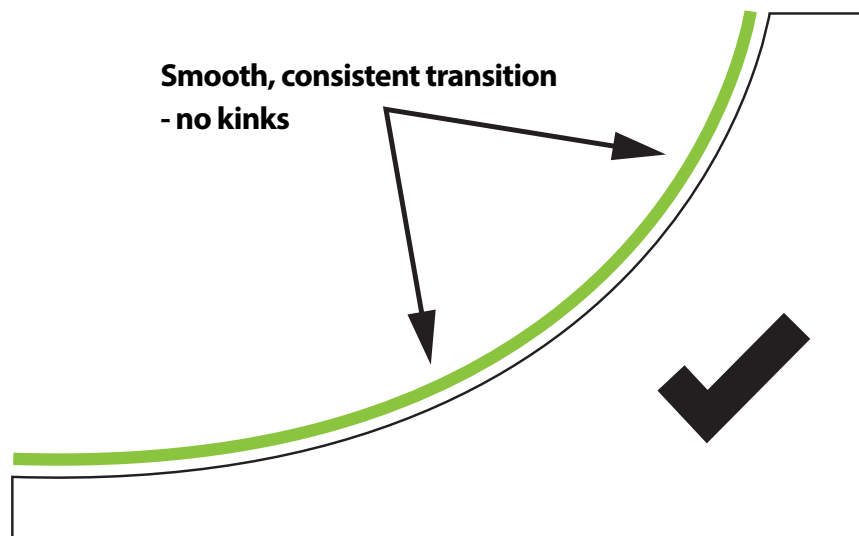
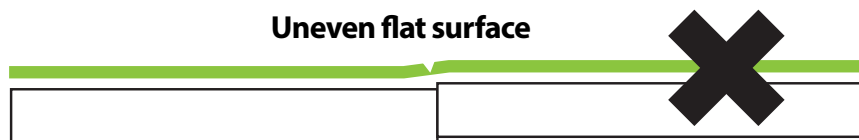
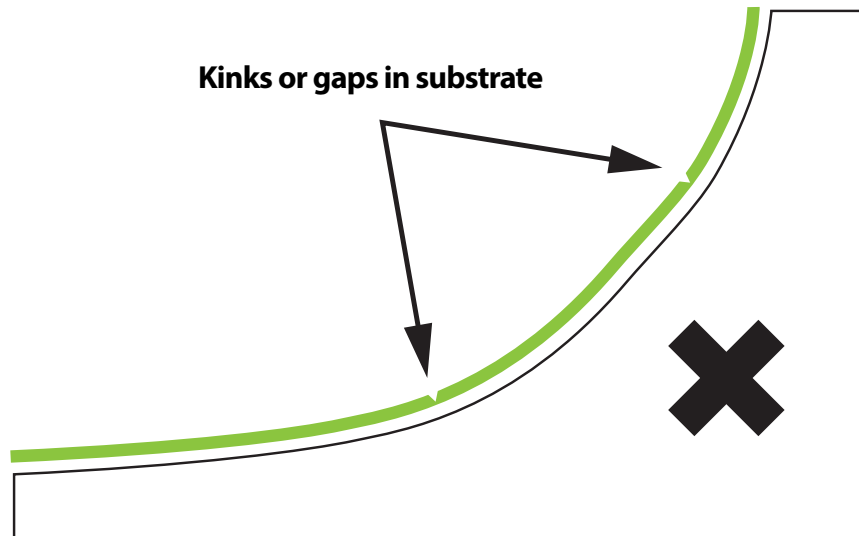
FIGURE 5



Gator Skins surface install recommendations and tips

To offer the smoothest and best ride of your ramp, Gator Skins highly recommends that the substrate (plywood underlayment) is free of kinks or gaps which can cause cracking and unusual wear of the product.

A properly installed substrate layer will ensure a better ride and reduce the chances of cracking or chipping of material. Use the diagrams below as a guide.



RECOMMENDED SCREW PATTERN

It is of crucial importance that no space exists between the substrate and the Gator Skins panels. While this is not the only pattern that can be used for installation, it is the one that we recommend.

